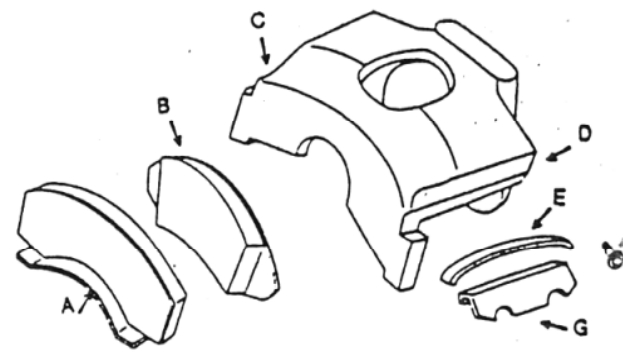


Typical style sliding caliper mounted on fixed caliper mounting bracket. Guide pins "A" to caliper guide pin bushing/sleeve assembly must be correctly lubricated or rapid pad wear can result.

### SYNTHETIC BRAKE CALIPER GREASE -Lubrication Points

- A Sliding Caliper Guide Pins
- B Ear/guide Pin Hole
- C Caliper Body
- D Caliper Guide Pin Bushing/sleeve Assembly
- E Caliper Mounting Bracket
- F Inner & Outer Disc Brake Pads



Typical style of sliding caliper: Lubrication of caliper support key and caliper support spring is critical to maintain sliding action of caliper.

### SYNTHETIC BRAKE CALIPER GREASE -Lubrication Points

- A Outer Pad - lubricate metal backing
- B Inner Pad - lubricate metal backing
- C,D Caliper Body - lubricate edge contact points
- E Caliper Support Spring - lubricate entire piece
- F Key Retaining Screen - lubricate contact shoulder
- G Caliper Support Key - lubricate all contact areas